

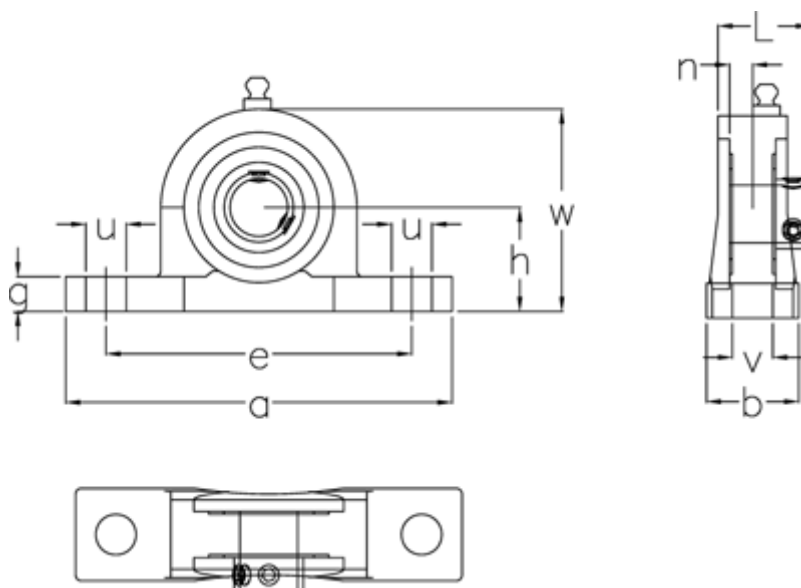
Data Sheet



Article number: 54810022093

Description: Pillow block SS UCP209 LDK f/shaft dia.45 mm
All stainless, polished

Measures



a	= 190	L	= 49.2
b	= 54	Nominal drive	= 19
Bearing	= SUC209	u	= 22
Bolt size	= M14	v	= 17
e	= 146	w	= 105
g	= 20	Weight	= 2.01
h	= 54		
Housing	= SP209		